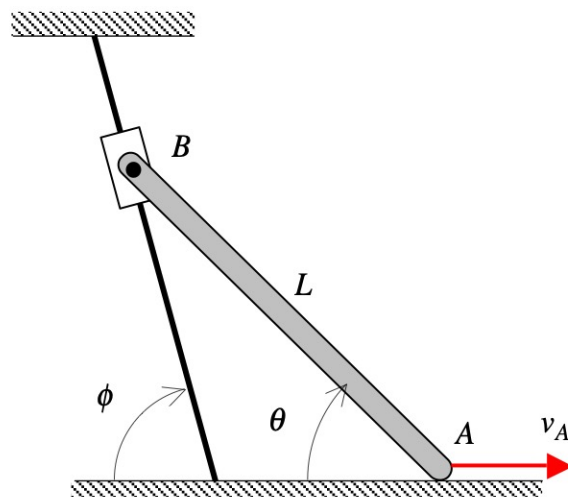


Homework H.2.D

Given: Thin bar AB (having a length of L) moves in a way that ends A and B slide along straight, fixed guides as shown in the figure. End A has a constant speed of v_A to the right as the bar moves.

Find: Determine the velocity and acceleration of end B.



Use the following parameters in your analysis: $L = 2$ ft, $v_A = 4$ ft/s, $\theta = 30^\circ$ and $\phi = 53.13^\circ$.