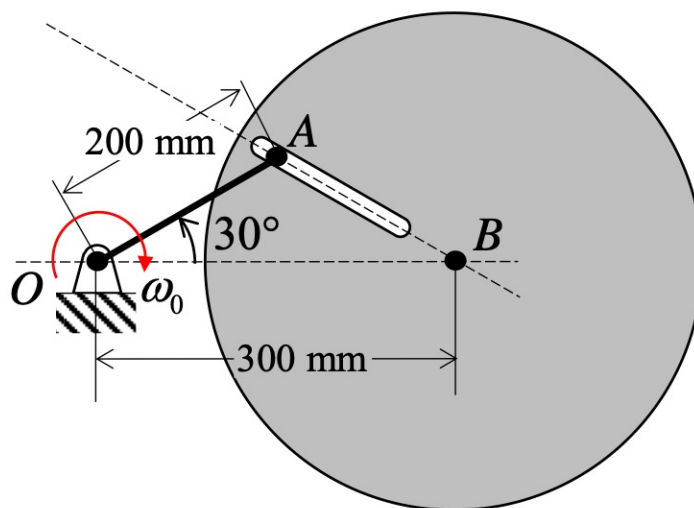


Homework H.3.B

Given: Link OA rotates with a constant angular speed of ω_0 . A pin at point A moves within a smooth slot that has been cut in the disk, which is pinned to ground at point B.

Find: Determine:

- The angular velocity of the disk.
- The acceleration of pin A as seen by an observer on the disk.



Use the following parameters in your analysis: $\omega_0 = 10 \text{ rad/s}$ (CW).