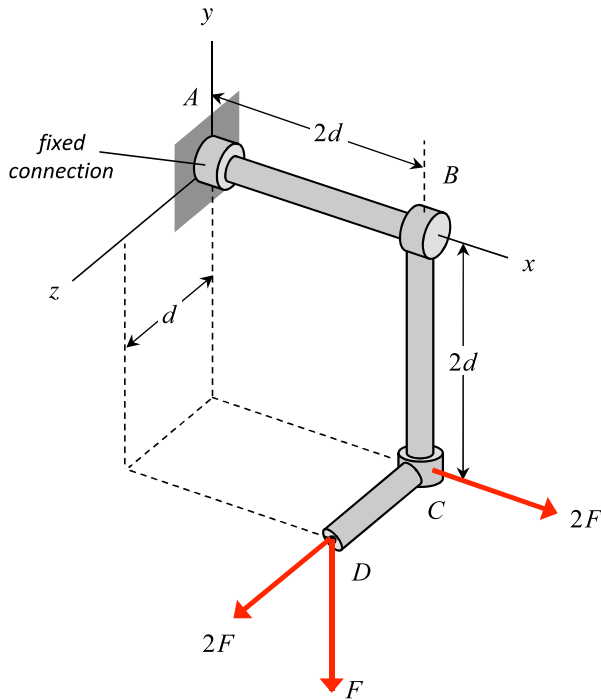


Homework H10.A

Given: The pipe structure shown is attached to ground with a fixed connection at A. A set of three forces acts on the structure. The weight of the structure is negligible compared to the applied forces acting on the structure.

Find: Determine the reactions on the structure at A. Write your answers as vectors in terms of, at most, F and d .



Homework H10.B

Given: A homogeneous boom pole having a weight of W is supported by a ball-and-socket joint at end O, and by two cables, AD and BE.

Find: Determine the reactions on the pole at O and the tension forces acting on the pole by the cables. Write your answers as vectors in terms of W .

