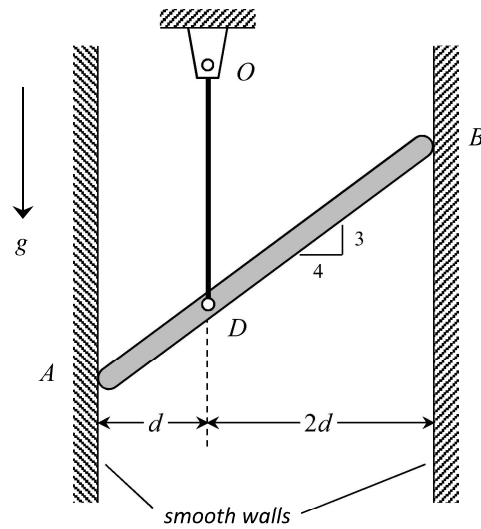


Homework H8.A

Given: A homogeneous bar of weight W is supported by a vertical cable at point D , and by smooth, vertical walls at ends A and B .

Find: Determine the reactions on the bar at ends A and B . Express your answers in terms of W .



Homework H8.B

Given: A street light is acted upon by a pair of horizontal forces at B and D, and by its weight at the center of mass G. Consider the connection of the light at A to be fixed to the ground.

Find: Determine the reactions on the street light at support A. Express your answers as vectors in terms of, at most, F and d .

