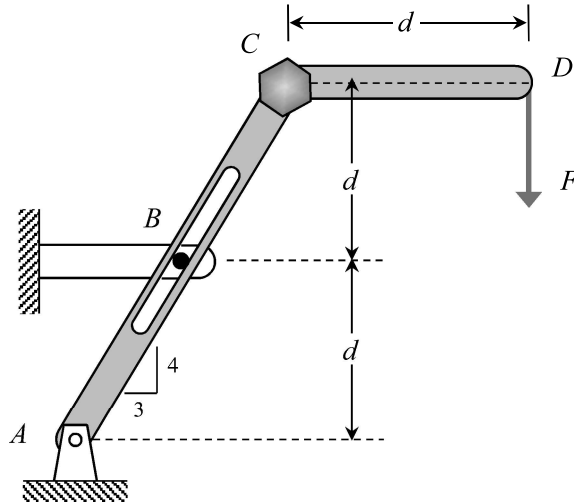


**Homework H9.A**

**Given:** A structure is supported by a pin joint at A and by a smooth pin-in-slot joint at B. A vertical force  $F$  acts on the structure at D. The weight of the structure is negligible compared to the load  $F$ .

**Find:** Determine the reactions on the structure at A and B. Express your answers as vectors in terms of  $F$ .



**Homework H9.B**

**Given:** An L-shaped bent bar is supported by smooth rollers at ends A and C, and by cable DE at E. A horizontal force  $F$  acts on the bar at location H. The weight of the bar is negligible compared to the load  $F$ .

**Find:** Determine the reactions on the bar at A and C, and the tension in cable DE. Express your answers in terms of  $F$ .

