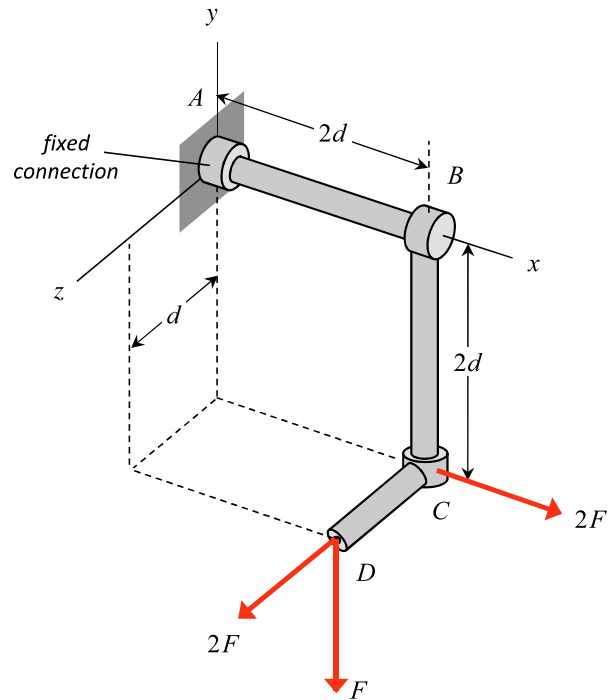


Homework H10.A

Given: The pipe structure shown is attached to ground with a fixed connection at A. A set of three forces acts on the structure. The weight of the structure is negligible compared to the applied forces acting on the structure.

Find: Determine the reactions on the structure at A. Write your answers as vectors in terms of, at most, F and d .



Homework H10.B

Given: A T-shaped structure is supported by a ball-and-socket joint at end O, and by cables AH, BE and CD, as shown in the figure. A force P acts in the positive x -direction at A on the structure.

Find: Determine the tension in each cable as a result of the applied load P .

Leave your answer in terms of P .

