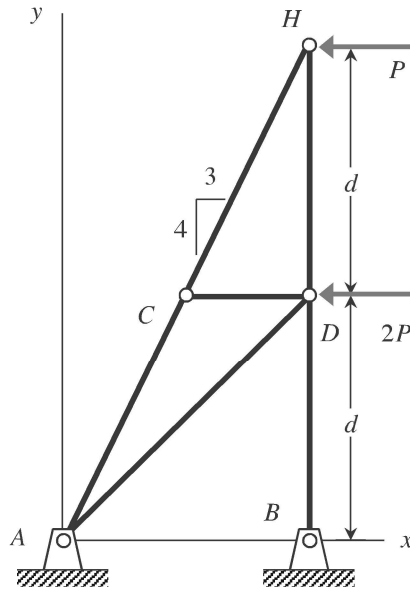


**Homework H21.A**

**Given:** Consider the truss shown below with the loading on joints D and H.

**Find:** Determine the load carried by all members in the truss. Identify each member as either being in tension, in compression or carrying zero load. Leave your answers in terms of  $P$ .



**Homework H21.B**

**Given:** Consider the truss shown below with the loading on joints B and C.

**Find:** Determine the load carried by all members in the truss. Identify each member as either being in tension, in compression or carrying zero load. Leave your answers in terms of  $P$ .

