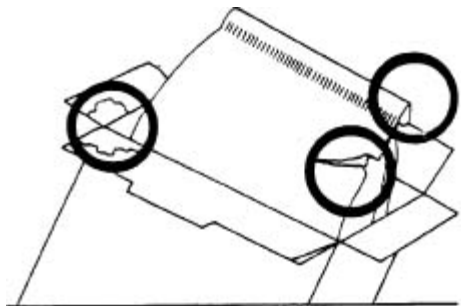


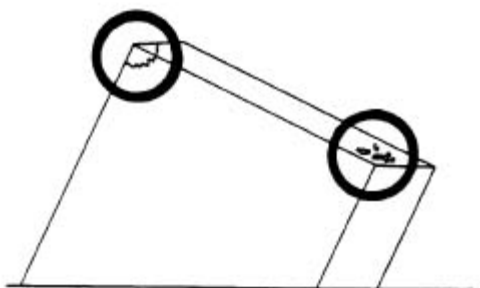
Guidelines for Evaluating Boxed and Dry Packaged Containers



Boxes With Inner Bag

- 1) Look for contaminants on box
- 2) Look at inner bag and discard if it is:
 - Torn, leaking or contaminated
 - Has imperfect or leaking seals
 - Has moldy or foreign objects inside

To save good inner bags of food from damaged box, place inner bag into plastic bag and insert label.



Boxes Without Inner Bag

1. Do not use if opened
2. Look for contaminants on box
3. Look for insects, insect skins, webs, chaff or moving pieces

IF IN DOUBT, THROW IT OUT!

Adapted from materials developed by *Second Harvest* National Food Bank Network